

UFB

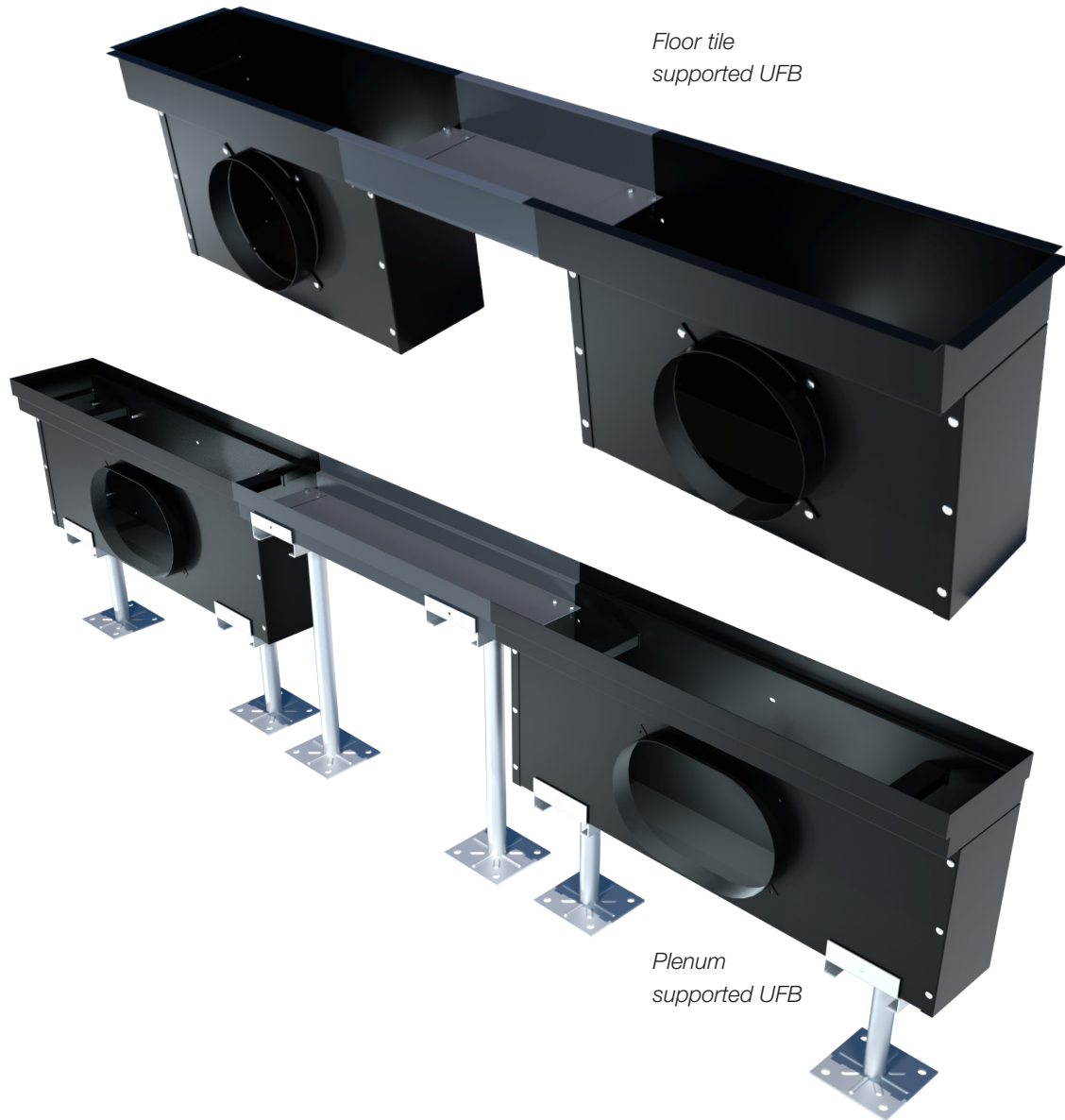
UNDERFLOOR BLANK-OFF



UFB

Underfloor Blank-off

The Underfloor Blank Off (UFB) can be used to create a continuous-grille look with underfloor plenums and terminals such as the Linear Floor Plenum (LFP), Linear Plenum Terminal (LPT), and Linear Natural Convection Terminal (LNT). Quickly removable endcaps on the plenums and terminals make installation of the UFB very simple. The UFB can be used in flanged and flangeless applications, and can be ordered with pedestal brackets.

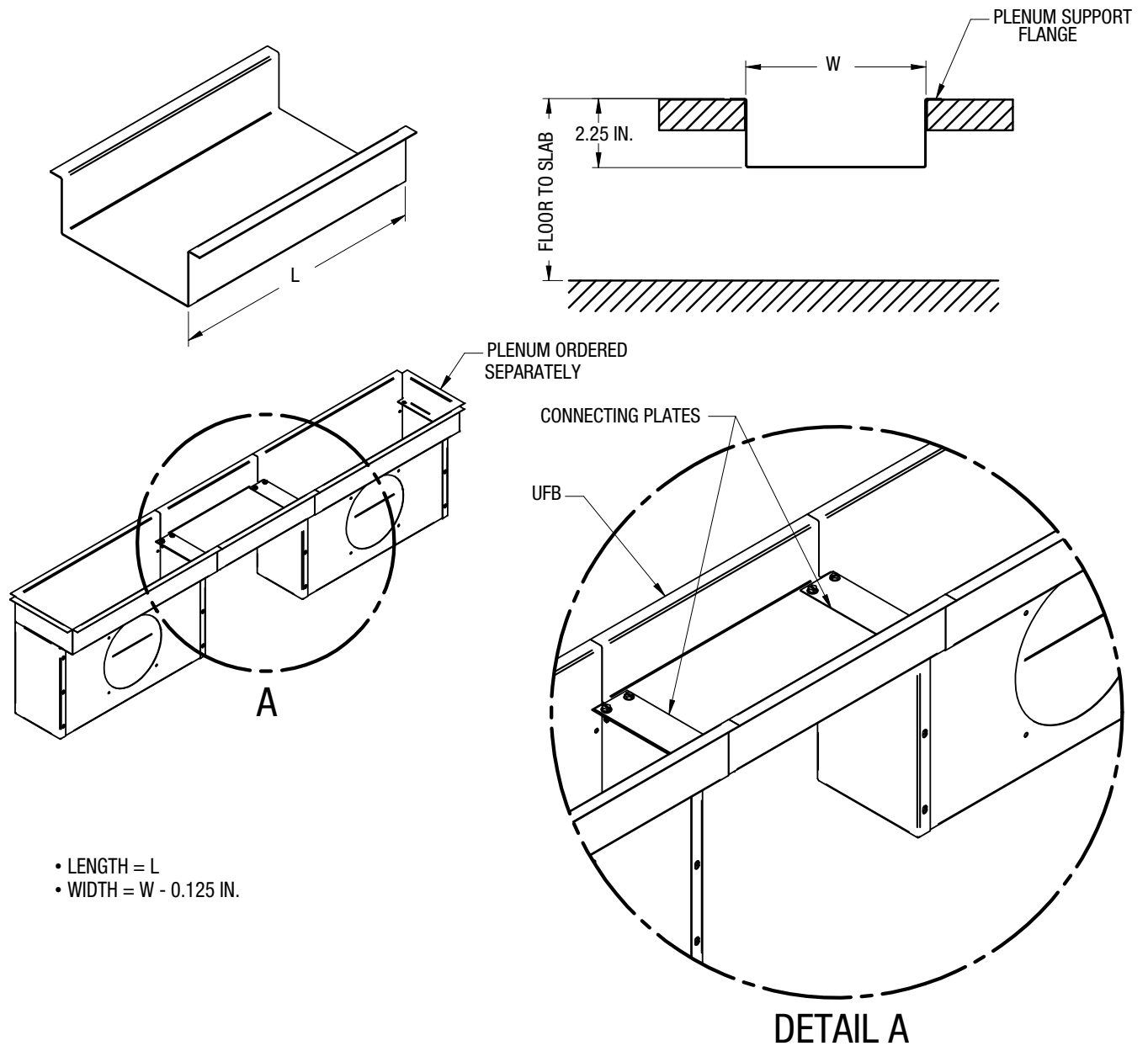


FEATURES

- + Constructed of 22 ga. steel painted black (B17)
- + Available for use with flanged and flangeless grilles
- + Pedestal brackets available, shipped loose
- + Shipped with connector plates for joining and sealing with plenums and terminals

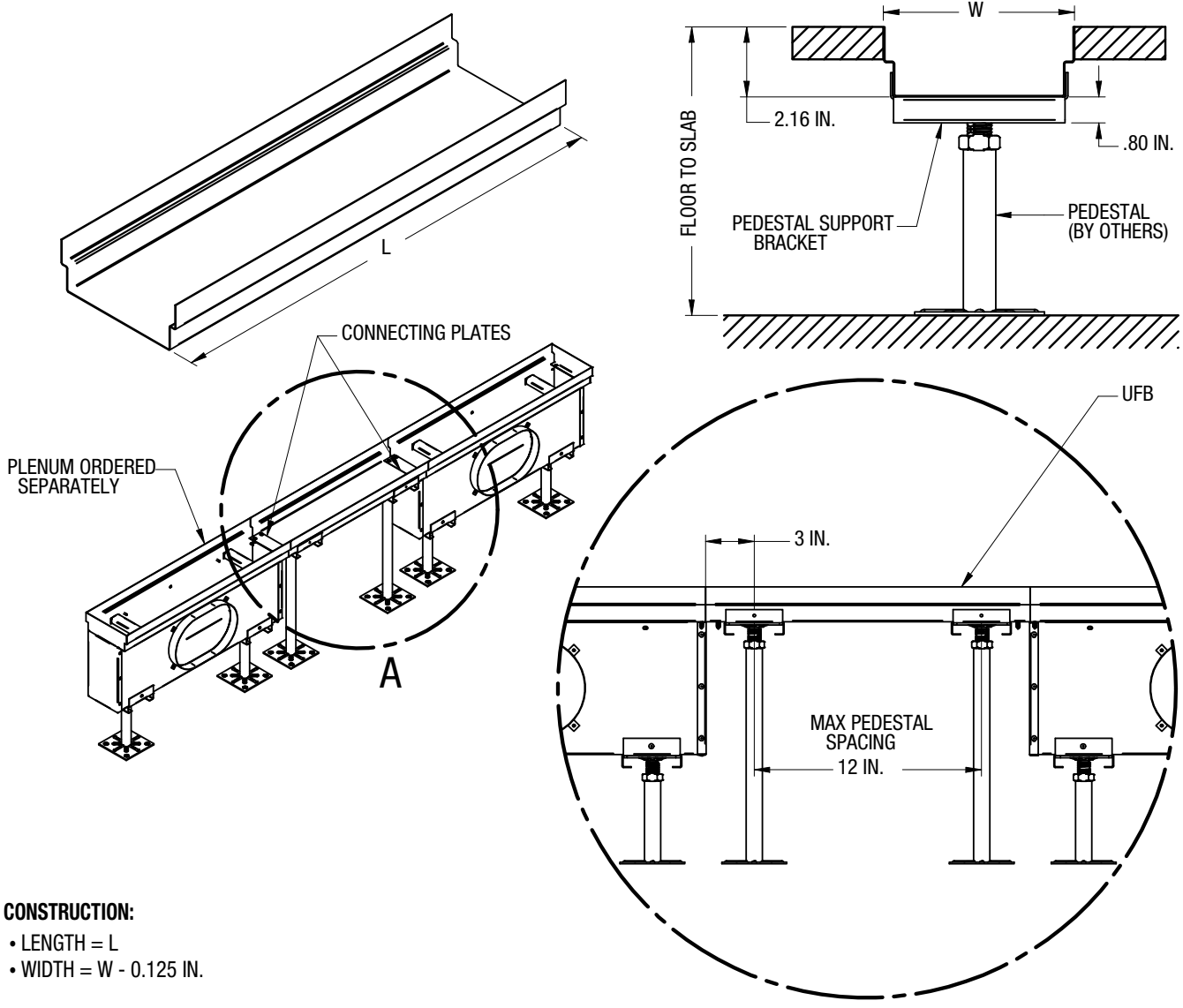
DIMENSIONAL DATA

Off floor tile supported



DIMENSIONAL DATA

Off pedestal supported



CONSTRUCTION:

- LENGTH = L
- WIDTH = $W - 0.125$ IN.

DETAIL A



Product Improvement is a continuing endeavour at Price. Therefore, specifications are subject to change without notice. Consult your Price Sales Representative for current specifications or more detailed information. Not all products may be available in all geographic areas. All goods described in this document are warranted as described in the Limited Warranty shown at priceindustries.com. The complete Price product catalog can be viewed online at priceindustries.com.